

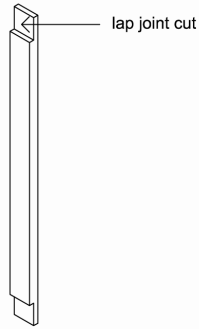
PRE DRILL ALL HOLES!
to eliminate the possibility of splitting and
cracking of the lumber when joined

All lumber used
shall be green
treated to ensure
longevity of bin

Galvanized 13 guage
fencing provides
adequate air circulation
while minimizing
corrosion

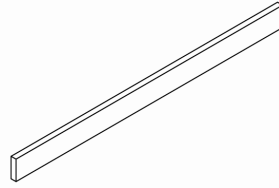
All screws shall
be professional grade
galvanized steel to
ensure longevity of
structure

A.



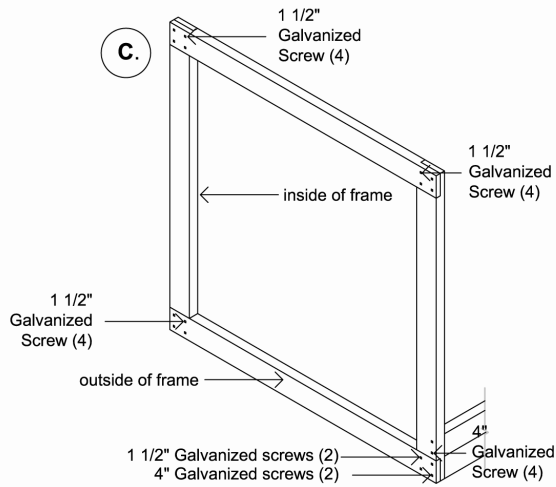
Cut three of the 12 foot 2x4 into two 4 foot long pieces, then cut a 3/4" deep and 3 1/2" wide section out of each end for a total of 24 lap cuts

B.



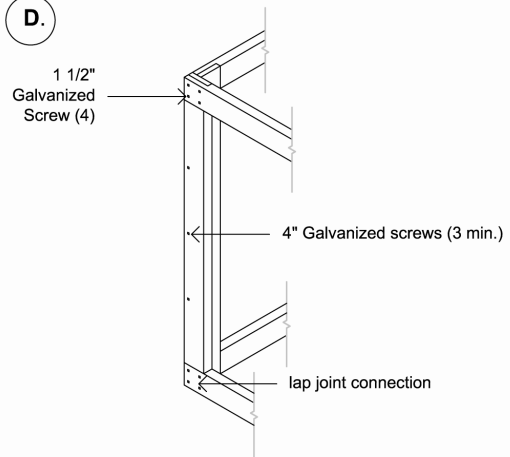
Next, cut the remaining 8 foot 2x3 into two 4 foot long pieces - these will be positioned in the front of the bin to provide structural support for the cube shape

C.



Join each lap cut board with one another using four 1 1/2" galvanized screws for a total of three 4' square frames (*Ensure that the two boards with the grooves face on another allowing the removable boards to be slid into the panels*)

D.



Next, join the 4' square frames with one another using three 4" galvanized screws - using more if necessary to provide desired stability. Finally, cut the 13 gauge fencing to size and staple to the inside of each panel every two inches on center

MATERIALS

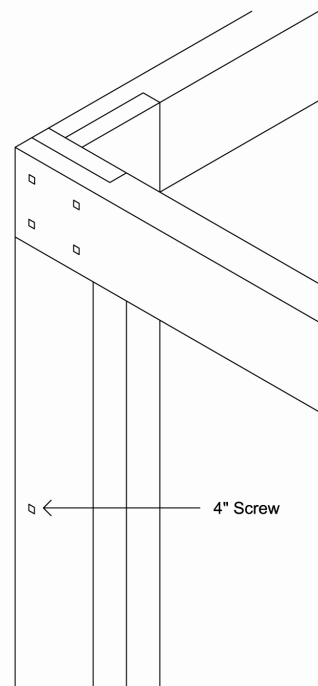
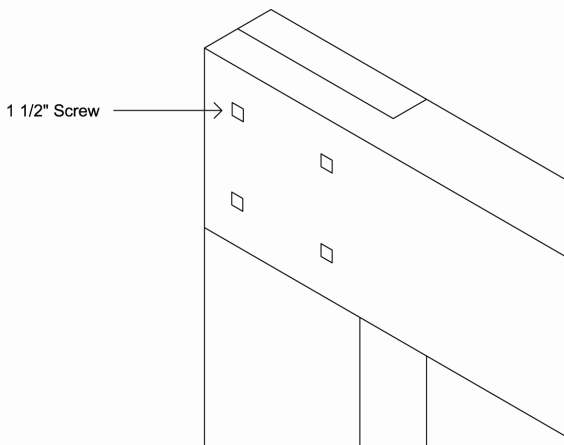
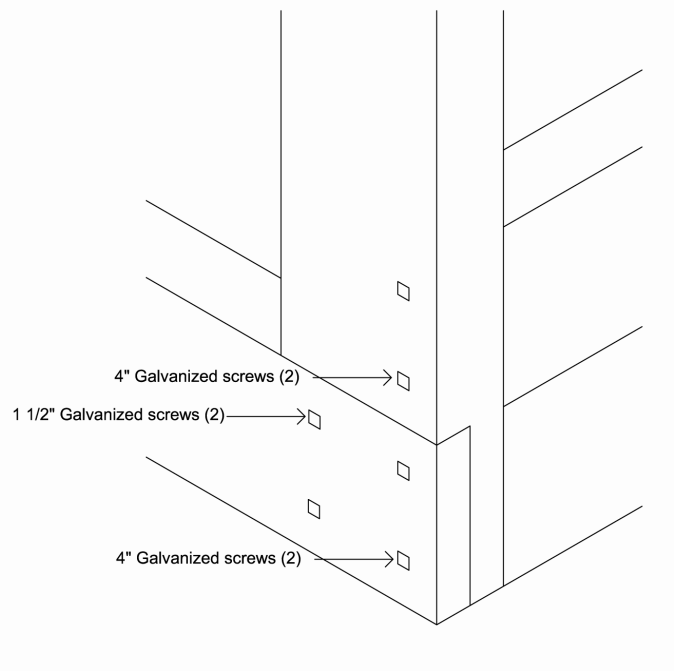
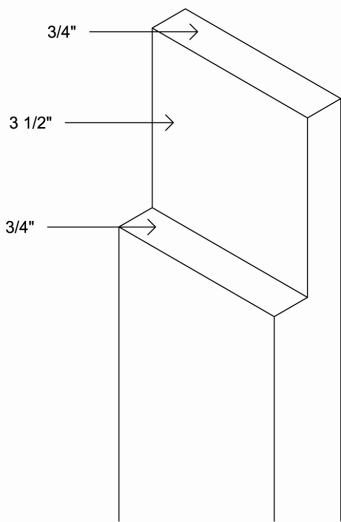
Five - 12 foot green treated 2x4

50+ - 1 1/2" professional grade galvanized screws

14+ - 4" professional grade galvanized screws

150in+ x 48in galvanized wire mesh fencing - 13 gauge minimum, 2x4 mesh size

160+ - Heavy Duty 3/8" Staples



DETAILS

Compost bin shall be placed directly onto the ground for optimal efficiency, but may be placed on a concrete/aggregate surface if desired.

There shall be an ADA accessible path leading up to the compost bin.

All lumber shall be green treated to provide optimal longevity of the structure.

All screws shall be of professional grade galvanized steel to provide optimal longevity of the structure.

All connection holes shall be pre-drilled to minimize cracking and splitting of the lumber as boards are joined.